

PNS 300L for Elevator

Open Loop Inverter

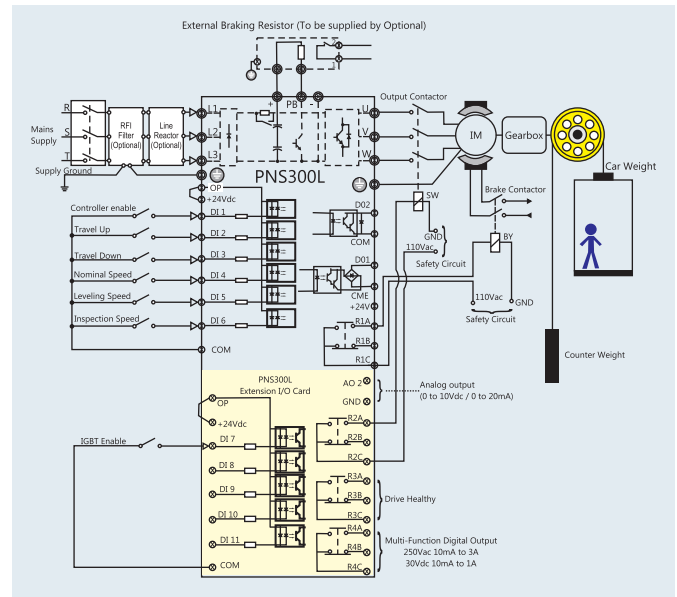
Sensorless Technology



- ▶ Operation in high ambient temperature 45°C
- ▶ Wide operating voltage range 323 to 528Vac
- ▶ Simplified elevator control parameter for easy start up
- ▶ Enhanced reliability with conformal coating, protection against humidity and pollution dust
- ▶ Suitable for asynchronous motor only

Elevator Application Features

- ▶ Smooth ride performance
- ▶ Integrated brake control
- ▶ UPS/ARD rescue light-load search
- ▶ Default factory setting make user friendly, gets you started quickly
- ▶ 4-Independent S-Ramps
- ▶ Programmable DC-injection braking



Inverter Key Features

- ▶ Simplified parameter for easy start up
- ▶ Comprehensive trip diagnostics
- ▶ Auto torque boost
- ▶ Slip compensation
- ▶ Flexible programmable I/O connection
- ▶ Output frequency 100Hz
- ▶ In-Built Dynamic braking unit

General Specifications

Voltage Class		220Vac				380/400/415Vac					
Drive Model		PNS300L-2T2P2	PNS300L-2T3P7	PNS300L-2T5P5	PNS300L-2T7P5	PNS300L-4T3P7	PNS300L-4T5P5	PNS300L-4T7P5	PNS300L-4T011	PNS300L-4T015	
Dimension	Height	[H] : 248mm		[H] : 322mm		[H] : 266mm		[H] : 299mm			
	Width	[W] : 160mm		[W] : 208mm		[W] : 165mm		[W] : 200mm			
	Depth	[D] : 183mm		[D] : 192mm		[D] : 190mm		[D] : 210mm			
Drive Input	Rated Input Voltage	Three-Phase 200Vac to 240Vac, -15% to 10% (170Vac to 264Vac)					Three-Phase 380Vac to 480Vac, -15% to 10% (323Vac to 500Vac)				
	Rated Input Current, [A]	10.5	14.6	26	35	10.5	14.6	20.5	26	35	
	Rated Input Frequency	50/60 Hz, ± 5% (47.5 to 63Hz)									
Drive Output	Applicable Motor	[kW]	2.2	3.7	5.5	7.5	3.7	5.5	7.5	11	15
		[HP]	3	5	7.5	10	5	7.5	10	15	20
	Output Current, [A]*	9	13	25	32	9	13	17	25	32	
	Power Capacity, [kVA]	5.9	8.9	17	21	5.9	8.9	11	17	21	
	Overload Capacity	150% for 60 Seconds & 180% for 3 Seconds									
	Max. Output Voltage	Three-Phase 200Vac to 240Vac (Proportional to input voltage)					Three-Phase 380Vac to 480Vac (Proportional to input voltage)				
Max. Output Frequency	100Hz										
Braking Resistor	Recommended Power, [W]**	1000	1200	1600	2000	1200	1600	2000	3000	4000	
	Recommended Resistance, [Ω]	≤ 50	≤ 30	≤ 22	≤ 16	≤ 90	≤ 70	≤ 65	≤ 43	≤ 32	
Enclosure		IP 21									